

wirata®

INSTRUCTION MANUAL

Model No.:

F-709A

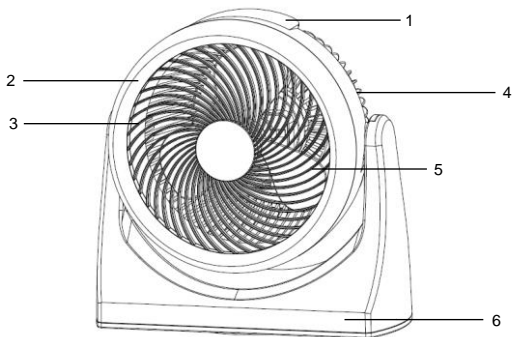
Please read *Instruction Manual* before use
& Follow ALL the instructions carefully.

MODEL NO.	F-709A
POWER	30W
VOLTAGE	220-240V
FAN SIZE	8" (200mm)
FREQUENCY	50/60Hz
NO. OF BLADE	3
FAN SPEED	3

WHAT'S IN THE BOX

1. Air Circulator – 1set
2. Instruction Manual- 1 set

PARTS DESCRIPTION



MAIN COMPONENT :

(Product may vary slightly from what is illustrated)

- | | |
|--------------------------|---------------|
| 1: Carrying Handle | 4: Switch |
| 2: Frontal decorate ring | 5: Fan blades |
| 3: Front grill | 6: Fan base |

GENERAL INSTRUCTION

When using the electrical appliance, the following basic safety precautions should always be followed.

Please read these instructions carefully. Pay your special attention to important safety instructions. Keep this "**Instructions for use**" for future reference.

SAFETY INSTRUCTIONS

WARNING - To reduce the risk of fire, electric shock or injury to persons or property:

1. Always operate the product from a power source of the same voltage, frequency and rating as indicated on the product identification plate.
2. Do not use this fan with any solid-state speed control device to reduce the risk of electric shock.
3. Do not leave the fan running unattended.
4. Do not operate the product if it is dropped, damaged or showing signs of product malfunction. Do not operate the product with a damaged plug or cord. Return the complete product to the place of purchase for inspection, refund or replacement.
5. If it is not working properly, contact a qualified electrician or service centre for examination and repair, never try to dismantle it by yourself.
6. Do not immerse or expose the product or flexible cord to rain, moisture or any other liquid.
7. This product should not be used in the immediate vicinity of water, such as bathtubs, washbowls, swimming pools etc. where the likelihood of immersion or splashing could occur.
8. Never install the unit where it could be subject to:
 - Heat sources such as radiators, heat registers, stoves or other products that produce heat

- Direct sunlight
 - Mechanical vibration or shock
 - Excessive dust
 - Lack of ventilation, such as a cabinet or bookcase
 - Uneven surface
9. Switch off and unplug from outlet when the product is not in use, before assembling or disassembling parts and before cleaning. Fully assemble the fan before switching on.
 10. Avoid contact with moving parts. Do not insert any body parts (e.g., finger) or objects through the grill when the fan is operating.
 11. Do not cover the grille, or operate in close proximity to curtains, etc.
 12. This product is intended for normal domestic/household use only.
 13. Always disconnect the fan when moving it from one location to another.
 14. The use of attachments or accessories not recommended or sold by the product distributor may cause personal or property hazards or injuries.
 15. Be sure fan is on a stable surface when operating to avoid overturning & do not immerse in water.
 16. If the supply cord is damaged, it must be replaced by the manufacturer or its service agent, or similarly qualified person, in order to avoid a hazard.
 17. This appliance can be used by children aged from 8 years and above and persons with reduced physical, sensory or mental capabilities or lack of experience and knowledge if they have been given supervision or instruction concerning use of the appliance in a safe way and understand the hazards involved. Children shall not play with the appliance. Cleaning and user maintenance shall not be made by children without supervision.
 18. Do not disassemble the appliance.

WARNING: Do not use the device near water, over the bath tub, pool or other water basin.

*Observe the above-mentioned rules in order to avoid burning, electric shock or fire hazard. Make sure you understand the instructions.



HOW TO OPERATE

1. Select a suitable location for the fan. Always choose a safe location in accordance to the safety recommendations outlined.
2. When placing a fan on a table or shelf, always ensure that the power cord does not hang where it can accidentally be pulled and that the unit cannot accidentally fall.
3. Fan can be hang or mount on a wall or ceiling.
4. **ON/ OFF and Speed control:** -
The ON/Off and Speed is controlled by the push button.
 - 0-The Fan is switched Off
 - 1-at the lowest speed
 - 2-at the middle speed
 - 3-at the high speed



5. **Angle Adjustment.**

- The air circulator can also be adjusted from 0 to 90 degrees vertically.
- To adjust the vertical angle of airflow, first ensure that the fan is off (knob should be pointed to the 0 position).
- Gently hold the base down with one hand, and with the hand tilt the fan upwards to your desired position.
- Do avoid injury, do not attempt to adjust the vertical angle while the fan is On.

CLEANING INSTRUCTION

1. Switch off and unplug from the power supply before assembling or disassembling and cleaning.
2. Keep the air vents at the rear of the main body free from dust or fluff- use a vacuum cleaner to remove these when necessary. Do not probe any opening to remove fluff.
3. Fan component parts should be cleaned using mild soap and a damp cloth or sponge. Do not allow any water or other liquid to enter the motor housing
4. Thoroughly remove soap film with clean water.

CAUTION: Do not use harsh detergents, chemical cleaners or solvents as they may damage the surface finish of the fan components.



ENVIRONMENT PROTECTION

Dispose the appliance according to the local garbage regulations. Never throw it away to the rubbish, so you will help to the improvement of the environment.