

# wirata®

## INSTRUCTION MANUAL

Model No.:

**WF-180**

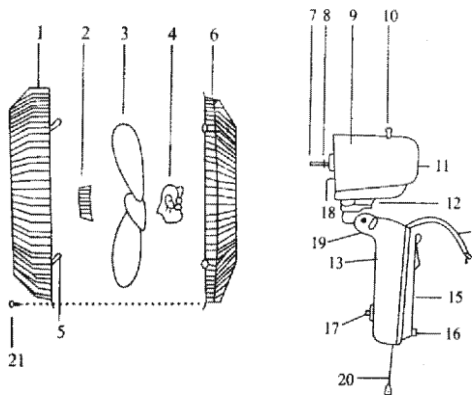
Please read *Instruction Manual* before use  
& Follow ALL the instructions carefully.

<b>MODEL NO.</b>	<b>WF-180</b>
POWER	70W
VOLTAGE	220-240V
FAN SIZE	18" (450mm)
FREQUENCY	50-60Hz
NO. OF BLADE	5
FAN SPEED	3

## WHAT'S IN THE BOX

1. Wall Fan (WF-180) – 1set
2. Instruction Manual– 1 set

## PARTS DESCRIPTION



### MAIN COMPONENT :

(Product may vary slightly from what is illustrated)

- |                               |                          |
|-------------------------------|--------------------------|
| 1: Front guard                | 11: Motor rear housing   |
| 2: Blade Cap                  | 12: Swivel joint         |
| 3: Blade                      | 13: Main body            |
| 4: Guard Lock Nut             | 14: Power cord           |
| 5: Clip                       | 15: Bottom plate         |
| 6: Rear Guard I               | 16: Rubber Foot          |
| 7: Motor shaft                | 17: Switch               |
| 8: Shaft pin                  | 18: Motor Front Housing  |
| 9: Motor                      | 19: Tilt Adjustment Knob |
| 10: Pull cord for oscillating | 20: Pull cord for speed  |
|                               | 21: Guard screw          |

## GENERAL INSTRUCTION

When using the electrical appliance, the following basic safety precautions should always be followed.

Please read these instructions carefully. Pay your special attention to important safety instructions. Keep this "**Instructions for use**" for future reference.

## SAFETY INSTRUCTIONS

**WARNING** - To reduce the risk of fire, electric shock or injury to persons or property:

1. Always operate the product from a power source of the same voltage, frequency and rating as indicated on the product identification plate.
2. Do not use this fan with any solid-state speed control device to reduce the risk of electric shock.
3. The appliance is not intended for use by persons (including children) with reduced physical, sensory, mental capabilities or lack of experience and knowledge, unless they have been given supervision or instructions concerning use of the appliance by a person responsible by their safety.
4. Children should be supervised to ensure that they do not play with the appliance.
5. Do not leave the fan running unattended.
6. Do not operate the product if it is dropped, damaged or showing signs of product malfunction. Do not operate the product with a damaged plug or cord. Return the complete product to the place of purchase for inspection, refund or replacement.
7. If it is not working properly, contact a qualified electrician or service centre for examination and repair, never try to dismantle it by yourself.

8. Do not immerse or expose the product or flexible cord to rain, moisture or any other liquid.
9. This product should not be used in the immediate vicinity of water, such as bathtubs, washbowls, swimming pools etc. where the likelihood of immersion or splashing could occur.
10. Never install the unit where it could be subject to:
  - Heat sources such as radiators, heat registers, stoves or other products that produce heat
  - Direct sunlight
  - Mechanical vibration or shock
  - Excessive dust
  - Lack of ventilation, such as a cabinet or bookcase
  - Uneven surface
11. Switch off and unplug from outlet when the product is not in use, before assembling or disassembling parts and before cleaning. Fully assemble the fan before switching on.
12. Avoid contact with moving parts. Do not insert any body parts (e.g., finger) or objects through the grill when the fan is operating.
13. Do not cover the grille, or operate in close proximity to curtains, etc.
14. This product is intended for normal domestic/household use only.
15. Always disconnect the fan when moving it from one location to another.
16. The use of attachments or accessories not recommended or sold by the product distributor may cause personal or property hazards or injuries.
17. Be sure fan is on a stable surface when operating to avoid overturning.
18. Do not immerse in water.
19. If the supply cord is damaged, it must be replaced by the manufacturer or its service agent, or similarly qualified person, in order to avoid a hazard.

**WARNING:** Do not use the device near water, over the bath tub, pool or other water basin.

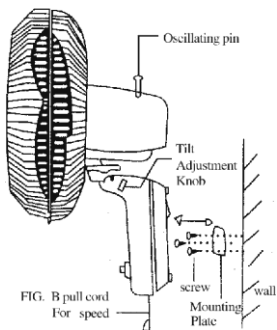
\*Observe the above-mentioned rules in order to avoid burning, electric shock or fire hazard. Make sure you understand the instructions.



## ASSEMBLY INSTRUCTION

1. Unscrew the screw on the edge of the rear grille.
2. Unscrew the Blade Cap by turning clockwise & Guard Lock Nut by turning counter clockwise.
3. Mount the Rear Guard to the motor by matching the 3 holes on the Rear Guard to the 3 round pins on the Motor Front Housing. Push in firmly until 3 pins protrude through the 3 holes.
4. Secure the Rear Guard to motor housing with Guard Lock Nut.
5. Insert the Blade onto Motor Shaft by matching slots in the Blade with pin in shaft and tightened Blade with Blade Cap by turning counter clockwise.
6. Test Blade by rotating with your hand. Make sure there is no friction with Guard Lock Nut. Blade should rotate freely otherwise repeat steps again from STEP 1.
7. Mount Front Guard onto Rear Guard by inserting hook of Front Guard over Rear Guard & secure with Clips on Front Guard.
8. Tighten the screw on the edge of the rear grille through front grille as Figure in Parts Description.

## HOW TO OPERATE



1. To make a vertical angle adjustment first pull the oscillating pin up then make your desired angle to tilt adjustment knob.
2. Pull the cord for selecting speed (Hi-Med-Low-Off)
3. Pull the cord for oscillating (ON/OFF).

## INSTALL THE FAN ON THE WALL

1. Install the mounting plate on the wall by using three screws as provide. (See Figure in Assembly Instruction)
2. Hang the fan onto the mounting plate.
3. Make electrical connections to the power source.

**CAUTION:** Do not use harsh detergents, chemical cleaners or solvents as they may damage the surface finish of the fan components.



### ENVIRONMENT PROTECTION

Dispose the appliance according to the local garbage regulations. Never throw it away to the rubbish, so you will help to the improvement of the environment.